

FIRE PUMPS



GENERAL PUMPS

ESPAÑA



LISTED
EX26841

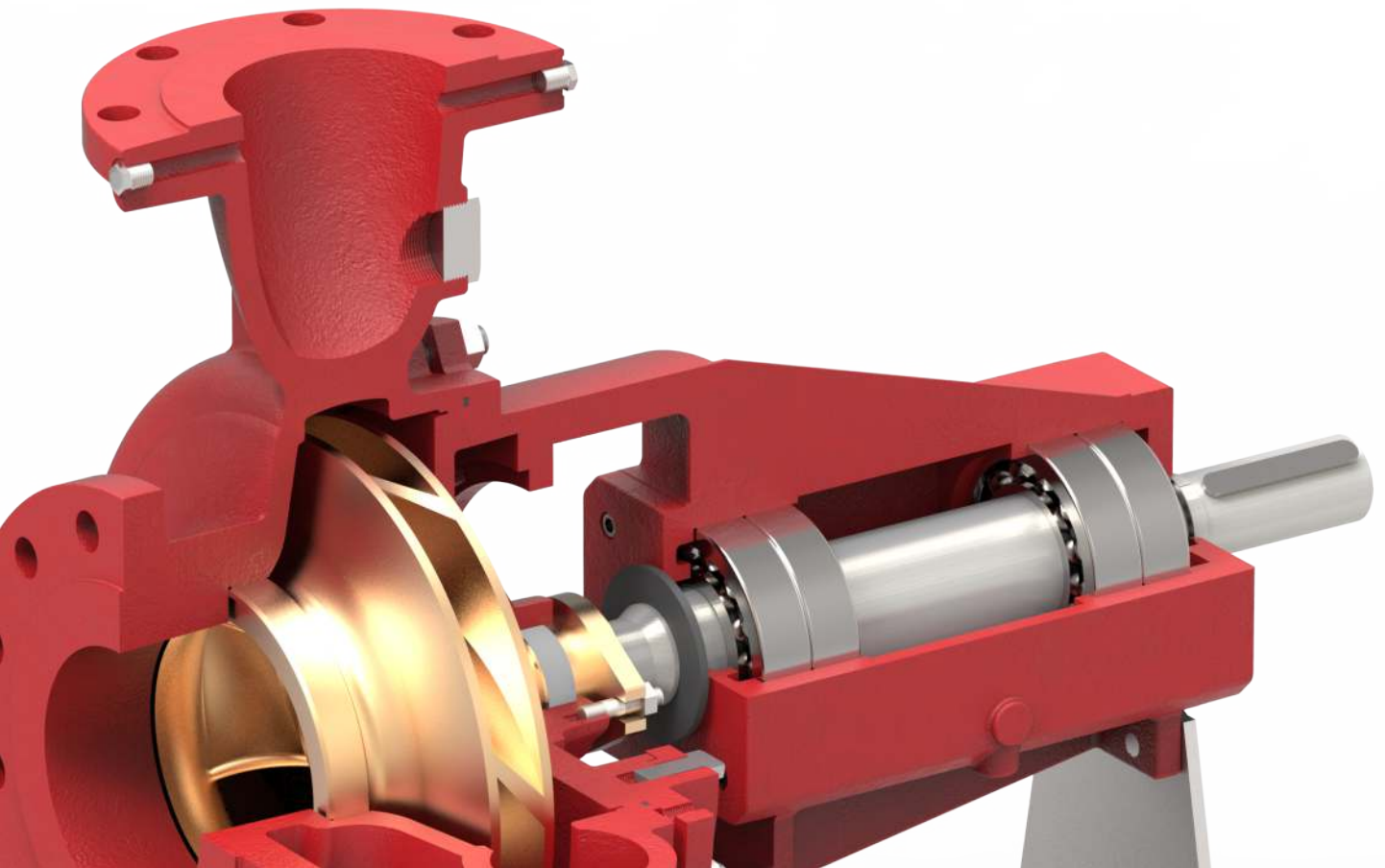


APPROVED



60Hz

GP





GENERAL PUMPS

ESPAÑA

General Pumps SL., was established more than 25 years ago in Valencia, Spain.

We are a major manufacturer in Spain of a wide variety of water pumps for various applications. We have two factories in Spain with the total space of more than 2600 Sq. M.

Today we have one of the most comprehensive ranges of pumps for Fire, HVAC, Water Treatment and Plumbing Industry. The product line ranges from small domestic pumps to large Industrial application pumps. The pumps can be offered in various Metallurgies such as Cast Iron, Stainless Steel, Bronze, etc.

We have our product distribution channels in North and South America, Europe, Middle East and Far East. More than 75% of our sales revenue is generated through exports across the world.

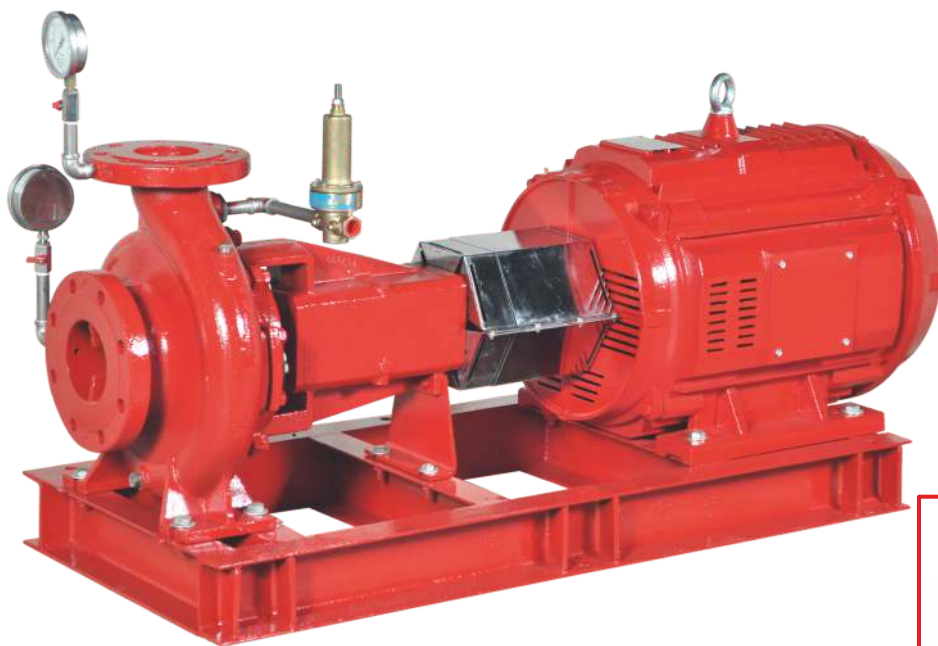
We have a comprehensive range of Fire Pumps which are UL Listed and FM Approved.

The Quality Management System at our manufacturing facility is certified to the latest International Standard of ISO 9001.

We believe in providing our customers with a complete solution for all their Fire Pumping needs. Our Engineers can assist you in making the right choice of product for your Fire Pumping Application.



End Suction Fire Pumps



Introduction

General Pumps offers FGBS series state-of-the-art fire pumps with diesel engine or electric motor driven, single-stage End-Suction pump.

These pumps are typically used in fire-fighting applications for supplying water to fire hose reels, fire hydrants or sprinkler systems.

Pumps have a discharge range from 100 to 1250 USgpm and the head range from 5.24 to 20.61 bar.

These fire pumps meet or exceed the requirements of NFPA20.

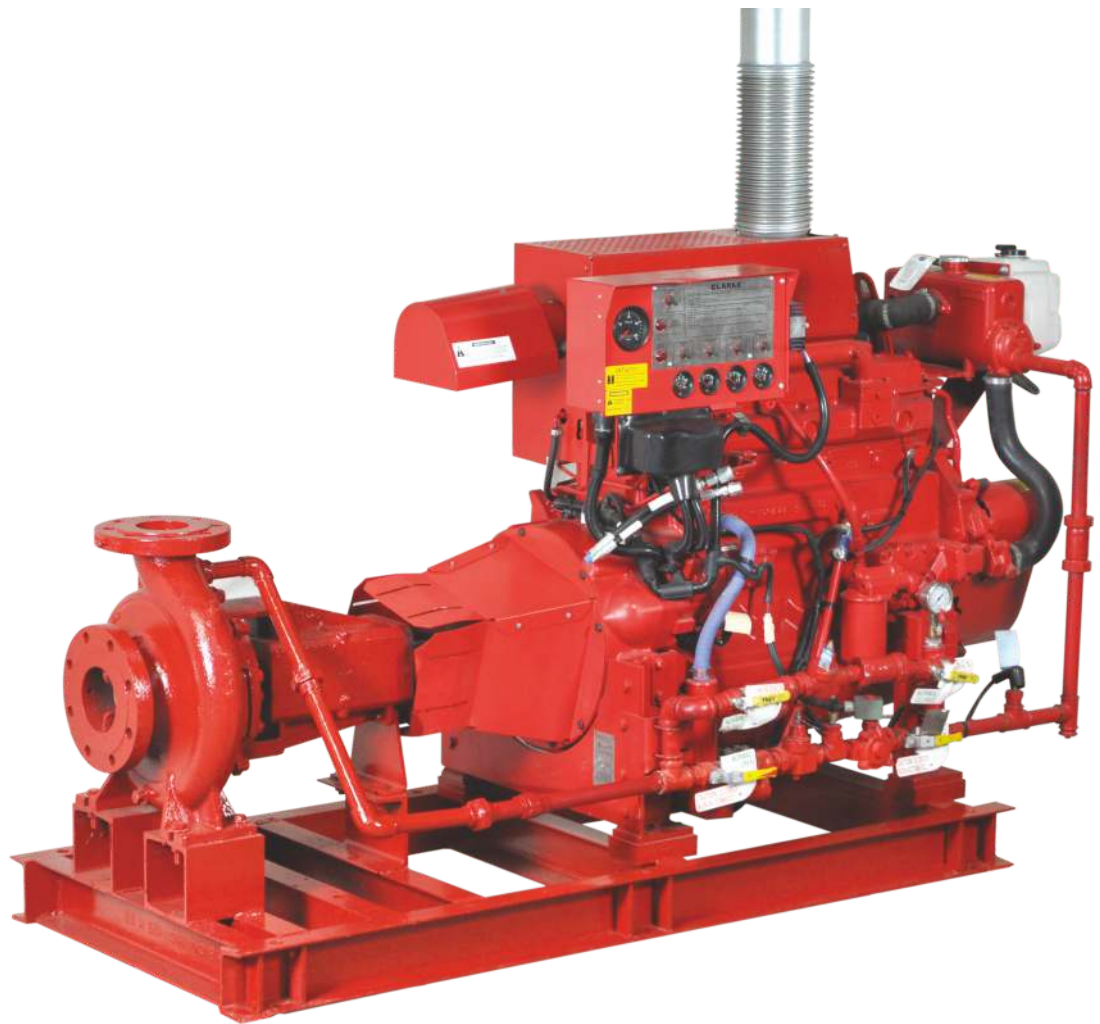
Installations of these pumps would ensure the safety of human life, buildings, and expensive equipments and plants. FGBS fire pumpset shall be used only where a positive suction is provided as specified in NFPA20.

These fire pumps typically consists of the following equipments:

- Single-Stage End-Suction pump
- Electric motor or Diesel Engine
- Cooling system for Diesel Engine
- Fuel system for Diesel Engine
- Battery for Diesel Engine electric start
- Exhaust system for Diesel Engine
- Diesel Engine / Electric Motor Fire pump controller
- Suction and Discharge pressure gauges
- Casing Relief Valve for Motor Fire pump
- Base frame

All above equipments except fuel supply tank and fire pump controller are mounted on a common base frame.

General Pumps can also supply packaged fire pumping system with all required accessories ready for site installation.



Applications

The FGBS fire pumpsets are used in small capacity, diesel engine or motor driven fire-fighting applications for supplying water to fire hose reels, fire hydrants or sprinkler systems in areas which are prone to the hazards of fire.

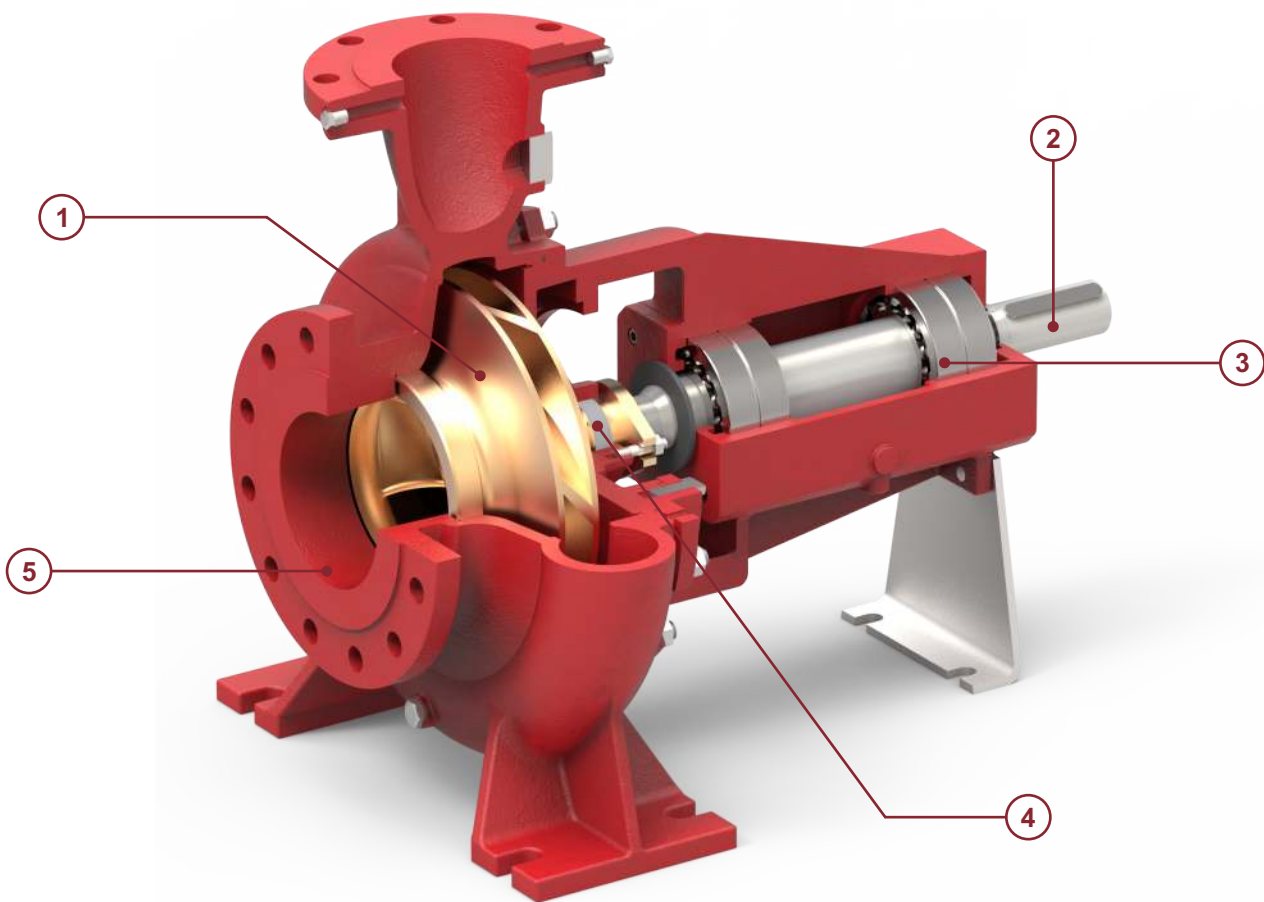
The typical applications are as follow:

- Commercial complexes & high rise buildings
- Petrochemical industries and Gas plants
- Airports and ports
- Jetties
- Marine applications
- Power stations and transformer stations
- Chemical industries
- Manufacturing plants
- Fire-work industries
- Warehouses / godowns

Features & benefits

FGBS fire pumpset offers all the features & benefits as mentioned in our GBS standard pump series data booklet. Following are the additional features & benefits offered by these pumpsets:

- State-of-the-art design fire pumping system.
- NFPA-20 design
- Compact diesel engine driven pump package
- Rugged construction
- More economical than Horizontal Split Case diesel fire pump packages
- Back pull-out design which simplifies inspection and maintenance without disturbing pipe work
- The pump impellers are dynamically balanced to grade 6.3 of ISO 1940-1
- Efficient operation
- Lower initial cost
- Reduced installation time and cost
- Easy access to all working parts
- Ease of maintenance
- Single source unit responsibility.



1 - Impeller & Casing

- Impeller is dynamically balanced to grade G6.3 balance quality in accordance to ISO 1940-1.
- Impeller & Casing are designed using state of art CFD tools to ensure optimal performance.

2 - Shaft

- Heavy duty stainless steel shaft completely sealed and dry for zero corrosion.
- Short and rigid with negligible vibrations.
- Replaceable shaft protecting sleeves.
- No threads exposed to pump medium, long operating life and no corrosion.
- Adjustment-free assembly.

3 - Bearing

- Heavy duty and permanently grease lubricated antifriction bearings for long service life.
- Open gland, enough space for service activities.

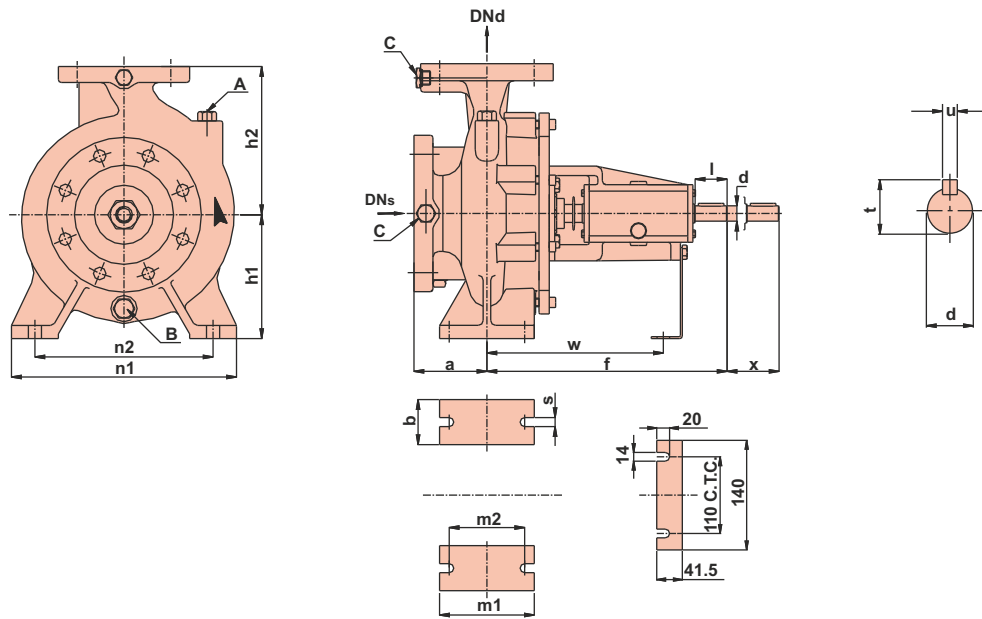
4 - Seal

- Asbestos - free, soft packed stuffing boxes.

5 - Casing

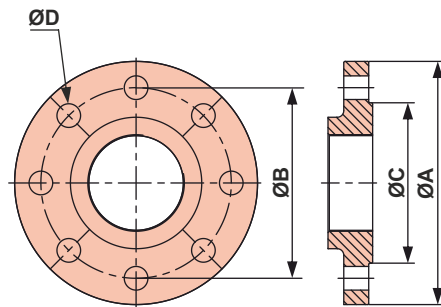
- End Suction backpullout design permits maintenance of the pump without removing the pipes.
- Rugged Ball Bearings on Drive as well as Non Drive end.
- Flange drilled as per ASME B16.42 class 300.
- Smooth surface inside & CED coated for superior corrosion protection.
- Replaceable wear ring protect the casing and the impeller running clearances.
- Heavy duty casing design for high working pressure.

Dimensions



Model	DN _s	DN _d	a	b	d.k6	f	h1	h2	l	m1	m2	n1	n2	s	t	u	w	x	A	B	C
FGBS 65-40-250	65	40	100	65	24	360	180	225	50	125	95	320	250	14	27	8	260	100	Ø3/8"	Ø1/2"	Ø1/4"
FGBS 80-65-250	80	65	100	80	42	482	200	250	80	160	120	360	280	18	45	12	340	140	Ø3/8"	Ø1/2"	Ø1/4"
FGBS 125-100-200	125	100	125	80	42	482	200	250	80	160	120	360	280	18	45	12	340	140	Ø3/8"	Ø1/2"	Ø1/4"
FGBS 125-100-250	125	100	140	80	42	527	225	280	110	160	120	400	315	18	45	12	360	140	Ø3/8"	Ø1/2"	Ø1/4"
FGBS 125-100-315	125	100	140	80	48	630	250	315	110	160	120	400	315	18	51.5	14	445	140	Ø3/8"	Ø1/2"	Ø1/4"
FGBS 150-125-250	150	125	140	80	42	630	250	355	110	160	120	400	315	18	51.5	14	445	140	Ø3/8"	Ø1/2"	Ø1/4"
FGBS 150-125-315	150	125	140	100	48	640	280	355	110	200	150	500	400	22	51.5	14	455	140	Ø3/8"	Ø1/2"	Ø1/4"

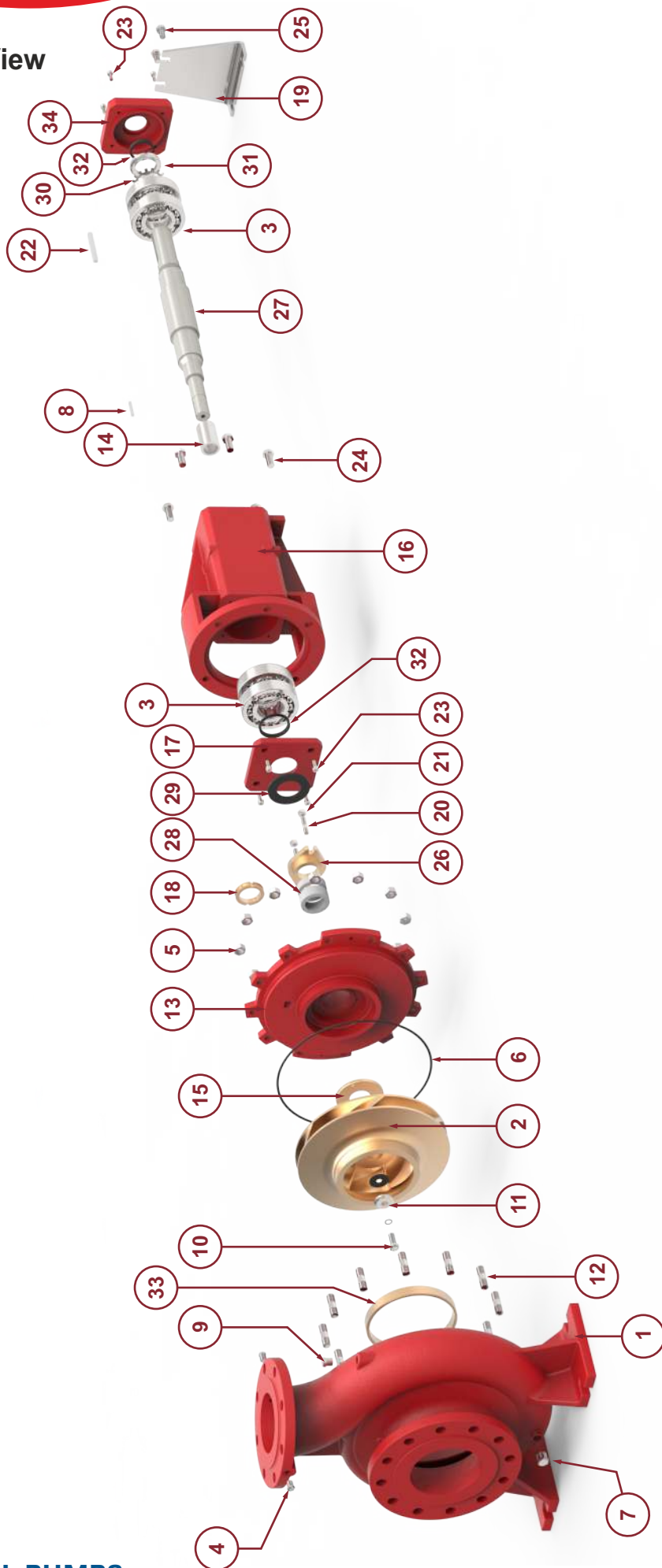
Flange Dimensions



ANSI 250 Flange Dimensions

Model	Suction				Discharge			
	ØA	ØB	ØC	ØD x Nos. of holes	ØA	ØB	ØC	ØD x Nos. of holes
FGBS 65-40-250	190	149	125	Ø7/8" x 8	155	114	91	Ø7/8" x 4
FGBS 80-65-250	210	168	144	Ø7/8" x 8	190	149	125	Ø7/8" x 8
FGBS 125-100-200	280	235	211	Ø7/8" x 8	255	200	176	Ø7/8" x 8
FGBS 125-100-250	280	235	211	Ø7/8" x 8	255	200	176	Ø7/8" x 8
FGBS 125-100-315	280	235	211	Ø7/8" x 8	255	200	176	Ø7/8" x 8
FGBS 150-125-250	320	270	246	Ø7/8" x 12	280	235	211	Ø7/8" x 8
FGBS 150-125-315	320	270	246	Ø7/8" x 12	280	235	211	Ø7/8" x 8

Exploded View



Part no.	Part name	Part no.	Part name	Part no.	Part name	Part no.	Part name
1	Casing	11	Impeller Washer	21	Hex Nut	31	Ring Nut
2	Impeller	12	Stud	22	Key	32	V-seal
3	Ball Bearing	13	Back Cover	23	Cap Screw	33	Wear Ring
4	Plug	14	Shaft Sleeve	24	Hex Bolt	34	Bearing Cover (DE)
5	Hex Nut	15	Gland Cover	25	Hex Bolt		
6	'O' Ring	16	Bearing Bracket	26	Gland		
7	Plug	17	Bearing Cover (NDE)	27	Shaft		
8	Key	18	Lentern Ring	28	Graphite Packing		
9	Plug	19	Foot	29	Water Thrower		
10	Hex Bolt	20	Stud	30	Locking Washer		

Approved Fire Pump Models with Rating

RATED CAPACITY- 100 US GPM									
Sr. No.	Pump Model	UL Listed Pressure		FM Approved Pressure		Rated Speed (rpm)	Suction Inlet Dia. (inch)	Discharge Outlet Dia. (inch)	Stage(s)
		(psi)	(bar)	(psi)	(bar)				
1	FGBS 80-65-250	87-191	5.99-13.16	87-193	5.99-13.30	3550	3	2.5	1
2	FGBS 80-65-250	84-134	5.79- 9.23	84-129	5.79-8.89	2900	3	2.5	1
3	FGBS 65-40-250	95-127	6.55- 8.73	96-127	6.61-8.75	2900	2.5	1.5	1

RATED CAPACITY- 150 US GPM									
Sr. No.	Pump Model	UL Listed Pressure		FM Approved Pressure		Rated Speed (rpm)	Suction Inlet Dia. (inch)	Discharge Outlet Dia. (inch)	Stage(s)
		(psi)	(bar)	(psi)	(bar)				
1	FGBS 80-65-250	84-191	5.7-13.16	84-193	5.79-13.30	3550	3	2.5	1
2	FGBS 80-65-250	83-135	5.72- 9.30	83-129	5.72-8.89	2900	3	2.5	1

RATED CAPACITY- 200 US GPM									
Sr. No.	Pump Model	UL Listed Pressure		FM Approved Pressure		Rated Speed (rpm)	Suction Inlet Dia. (inch)	Discharge Outlet Dia. (inch)	Stage(s)
		(psi)	(bar)	(psi)	(bar)				
1	FGBS 80-65-250	81-191	5.58-13.16	81-193	5.58-13.30	3550	3	2.5	1
2	FGBS 80-65-250	81-135	5.58-9.30	81-129	5.58-8.89	2900	3	2.5	1

RATED CAPACITY- 250 US GPM									
Sr. No.	Pump Model	UL Listed Pressure		FM Approved Pressure		Rated Speed (rpm)	Suction Inlet Dia. (inch)	Discharge Outlet Dia. (inch)	Stage(s)
		(psi)	(bar)	(psi)	(bar)				
1	FGBS 80-65-250	76-191	5.2-13.16	76-193	5.24-13.30	3550	3	2.5	1
2	FGBS 80-65-250	78-134	5.37-9.23	77-129	5.30-8.89	2900	3	2.5	1

RATED CAPACITY- 300 US GPM									
Sr. No.	Pump Model	UL Listed Pressure		FM Approved Pressure		Rated Speed (rpm)	Suction Inlet Dia. (inch)	Discharge Outlet Dia. (inch)	Stage(s)
		(psi)	(bar)	(psi)	(bar)				
1	FGBS 125-100-200	87-123	5.9-8.48	87-122	5.99-8.41	3550	5	4	1
2	FGBS 125-100-250	120-195	8.27-13.44	121-196	8.34-13.51	3550	5	4	1
3	FGBS 125-100-250	94-132	6.48-9.10	94-132	6.48-9.10	2900	5	4	1

Approved Fire Pump Models with Rating

RATED CAPACITY- 400 US GPM									
Sr. No.	Pump Model	UL Listed Pressure		FM Approved Pressure		Rated Speed (rpm)	Suction Inlet Dia. (inch)	Discharge Outlet Dia. (inch)	Stage(s)
		(psi)	(bar)	(psi)	(bar)				

1	FGBS 125-100-200	86-122	5.92-8.41	85-121	5.86-8.34	3550	5	4	1
2	FGBS 125-100-250	118-195	8.13-13.44	119-195	8.20-13.44	3550	5	4	1
3	FGBS 125-100-315	176-299	12.13-20.61	177-300	12.2-20.68	3550	5	4	1
4	FGBS 125-100-250	93-131	6.41-9.03	93-131	6.41-9.03	2900	5	4	1
5	FGBS 125-100-315	122-207	8.41-14.27	118-203	8.13-13.99	2900	5	4	1

RATED CAPACITY- 450 US GPM									
Sr. No.	Pump Model	UL Listed Pressure		FM Approved Pressure		Rated Speed (rpm)	Suction Inlet Dia. (inch)	Discharge Outlet Dia. (inch)	Stage(s)
		(psi)	(bar)	(psi)	(bar)				

1	FGBS 125-100-200	84-122	5.79-8.41	84-122	5.79-8.41	3550	5	4	1
2	FGBS 125-100-250	117-194	8.06-13.3	118-195	8.13-13.44	3550	5	4	1
3	FGBS 125-100-315	175-298	12.06-20.54	176-300	12.13-20.68	3550	5	4	1
4	FGBS 125-100-250	92-131	6.34-9.03	93-131	6.41-9.03	2900	5	4	1
5	FGBS 125-100-315	121-207	8.34-14.27	117-203	8.06-13.99	2900	5	4	1

RATED CAPACITY- 500 US GPM									
Sr. No.	Pump Model	UL Listed Pressure		FM Approved Pressure		Rated Speed (rpm)	Suction Inlet Dia. (inch)	Discharge Outlet Dia. (inch)	Stage(s)
		(psi)	(bar)	(psi)	(bar)				

1	FGBS 125-100-200	83-122	5.75-8.41	83-122	5.72-8.41	3550	5	4	1
2	FGBS 125-100-250	116-194	7.99-13.37	117-194	8.06-13.37	3550	5	4	1
3	FGBS 125-100-315	174-298	11.99-20.54	175-299	12.06-20.61	3550	5	4	1
4	FGBS 125-100-250	91-130	6.27-8.96	91-130	6.24-8.96	2900	5	4	1
5	FGBS 125-100-315	120-207	8.27-14.27	116-203	7.99-13.99	2900	5	4	1

Approved Fire Pump Models with Rating

RATED CAPACITY- 750 US GPM									
Sr. No.	Pump Model	UL Listed Pressure		FM Approved Pressure		Rated Speed (rpm)	Suction Inlet Dia. (inch)	Discharge Outlet Dia. (inch)	Stage(s)
		(psi)	(bar)	(psi)	(bar)				

1	FGBS 125-100-200	77-118	5.30-8.13	77-118	5.30-8.13	3550	5	4	1
2	FGBS 125-100-250	110-191	7.58-13.16	110-191	7.58-13.16	3550	5	4	1
3	FGBS 125-100-315	167-296	11.51-20.40	168-298	11.58-20.54	3550	5	4	1
4	FGBS 125-100-250	86-125	5.92-8.61	85-125	5.86-8.61	2900	5	4	1
5	FGBS 125-100-315	111-203	7.65-13.99	108-199	7.44-13.72	2900	5	4	1

RATED CAPACITY- 1000 US GPM									
Sr. No.	Pump Model	UL Listed Pressure		FM Approved Pressure		Rated Speed (rpm)	Suction Inlet Dia. (inch)	Discharge Outlet Dia. (inch)	Stage(s)
		(psi)	(bar)	(psi)	(bar)				

1	FGBS 150-125-250	101-183	6.9-12.61	101-181	6.96-12.47	3550	6	5	1
2	FGBS 150-125-315	153-220	10.54-15.16	157-221	10.82-15.23	3550	6	5	1
3	FGBS 150-125-315	104-188	7.17-12.96	99-190	6.82-13.1	2900	6	5	1

RATED CAPACITY- 1250 US GPM									
Sr. No.	Pump Model	UL Listed Pressure		FM Approved Pressure		Rated Speed (rpm)	Suction Inlet Dia. (inch)	Discharge Outlet Dia. (inch)	Stage(s)
		(psi)	(bar)	(psi)	(bar)				

1	FGBS 150-125-315	146-217	10.06-14.96	150-217	10.34-14.96	3550	6	5	1
---	-------------------------	---------	-------------	---------	-------------	------	---	---	---

End Suction Quick Selection guide

Rated Capacity in GPM (LPM)	Pressure in PSi(Bar) for Electric Motor driven Pump	Pump Model for Electric Driven	Pressure in PSi(Bar) for Diesel Engine driven Pump	Pump Model for Diesel Engine Driven	Rated Pressure in Bar	Jockey Pump Flow in USgpm	Jockey Pump Model	Electric Motor HP @ (3550 RPM)	Clarke DIESEL ENGINE HP @ (2100 RPM & 3000 RPM)	Jockey Pump HP @ 3450 RPM
100 (378)	87-191 (5.99- 13.16)	FGBS 65-250	84-134 (5.79- 9.23)	FGBS 65-250	6	5	GCR 1-08	15 HP	45 HP/3000 RPM	1HP
				FGBS 40-250	7	5	GCR 1-09	20 HP	45 HP/3000 RPM	1HP
				FGBS 65-250	8	5	GCR 1-10	25 HP	45 HP/3000 RPM	1HP
150 (567)	84-191 (5.79- 13.16)	FGBS 65-250	84-134 (5.79- 9.23)	FGBS 65-250	9	5	GCR 1-11	25 HP	45 HP/3000 RPM	1.5HP
				FGBS 65-250	6	7.5	GCR 1-08	20 HP	45 HP/3000 RPM	1HP
				FGBS 65-250	7	7.5	GCR 1-09	25 HP	45 HP/3000 RPM	1HP
				FGBS 65-250	8	7.5	GCR 1-11	30 HP	45 HP/3000 RPM	1.5HP
200 (757)	81-191 (5.58-13.16)	FGBS 65-250	83-135 (5.72- 9.30)	FGBS 65-250	9	7.5	GCR 1-12	30 HP	45 HP/3000 RPM	1.5HP
				FGBS 65-250	5.7	9.9	GCR 1-09	20 HP	45 HP/3000 RPM	1HP
				FGBS 65-250	6	10	GCR 1-10	20 HP	45 HP/3000 RPM	1HP
				FGBS 65-250	7	10	GCR 1-11	25 HP	45 HP/3000 RPM	1.5HP
				FGBS 65-250	8	10	GCR 1-13	30 HP	45 HP/3000 RPM	1.5HP
250 (946)	76-191 (5.24-13.16)	FGBS 65-250	78-134 (5.37-9.23)	FGBS 65-250	9	10	GCR 1-15	40 HP	45 HP/3000 RPM	2HP
				FGBS 65-250	5.7	12.5	GCR 3-7	25 HP	45 HP/3000 RPM	1.5HP
				FGBS 65-250	6	12.5	GCR 3-8	25 HP	45 HP/3000 RPM	1.5HP
				FGBS 65-250	7	12	GCR 3-9	30 HP	45 HP/3000 RPM	1.5HP
				FGBS 65-250	8	12.5	GCR 3-11	40 HP	45 HP/3000 RPM	2HP
300 (1135)	87-123 (5.99-8.48) 120-195 (8.27-13.44)	FGBS 100-200 FGBS 100-250	94-132 (6.48-9.10)	FGBS 100-250	9	15	GCR 3-12	40 HP	45 HP/3000 RPM	2HP
				FGBS 100-200	6.5	15	GCR 3-10	50 HP	60 HP/3000 RPM	2HP
				FGBS 100-200	7	15	GCR 3-10	50 HP	60 HP/3000 RPM	2HP
				FGBS 100-200	8	15	GCR 3-12	60 HP	60 HP/3000 RPM	2HP
				FGBS 100-250	9	15	GCR 3-13	75 HP	71 HP/3000 RPM	3HP

End Suction Quick Selection guide

Rated Capacity in GPM (LPM)	Pressure in PS(Bar) for Electric Motor driven Pump	Pump Model for Electric Driven	Pressure in PS(Bar) for Diesel Engine driven Pump	Pump Model for Diesel Engine Driven	Rated Pressure in Bar	Jockey Pump Flow in USgpm	Jockey Pump Model	Electric Motor HP @ (3550 RPM)	Clarke DIESEL ENGINE HP @ (2100 RPM & 3000 RPM)	Jockey Pump HP @ 3450 RPM
400 (1514)	86-122 (5.92 - 8.41)	FGBS 100-200	93-131 (6.41 - 9.03)	FGBS 100-250	6	20	GCR 4-6	50 HP	60 HP/3000 RPM	3HP
					7	20	GCR 4-8-7	60 HP	60 HP/3000 RPM	3HP
					8	20	GCR 4-8	60 HP	71 HP/3000 RPM	3HP
					9	20	GCR 4-8	75 HP	71 HP/3000 RPM	3HP
	118-195 (8.13 - 13.4)	FGBS 100-250	122-207 (8.41 - 14.27)	FGBS 100-315	10	20	GCR 4-9	100 HP	83 HP/3000 RPM	5HP
					11	20	GCR 4-10	100 HP	115 HP/3000 RPM	5HP
					12	20	GCR 4-11	100 HP	115 HP/3000 RPM	5HP
					13	20	GCR 4-12	100 HP	115 HP/3000 RPM	5HP
					14	20	GCR 4-13	125 HP	115 HP/3000 RPM	5HP
					176-299 (12.13 - 20.61)	FGBS 100-315				
450 (1703)	84-122 (5.79 - 8.41)	FGBS 100-200	92-131 (6.34 - 9.03)	FGBS 100-250	6.5	22.5	GCR 4-6	50 HP	60 HP/3000 RPM	3HP
					7	22.5	GCR 4-8-7	60 HP	60 HP/3000 RPM	3HP
					8	22.5	GCR 4-8	75 HP	71 HP/3000 RPM	3HP
					9	22.5	GCR 4-9	75 HP	83 HP/3000 RPM	5HP
	117-194 (8 - 13.37)	FGBS 100-250	121-207 (8.34 - 14.27)	FGBS 100-315	10	22.5	GCR 4-10	100 HP	83 HP/3000 RPM	5HP
					11	22.5	GCR 4-11	100 HP	115 HP/3000 RPM	5HP
					12	22.5	GCR 4-11	100 HP	115 HP/3000 RPM	5HP
					13	22.5	GCR 4-12	125 HP	115 HP/3000 RPM	5HP
					14	22.5	GCR 4-13	125 HP	145 HP/3000 RPM	5HP
					175-298 (12.06 - 20.54)	FGBS 100-315				

End Suction Quick Selection guide

Rated Capacity in GPM (LPM)	Pressure in PS(Bar) for Electric Motor driven Pump	Pump Model for Electric Driven	Pressure in PS(Bar) for Diesel Engine driven Pump	Pump Model for Diesel Engine Driven	Rated Pressure in Bar	Jockey Pump Flow in USgpm	Jockey Pump Model	Electric Motor HP @ (3550 RPM)	Clarke DIESEL ENGINE HP @ (2100 RPM & 3000 RPM)	Jockey Pump HP @ 3450 RPM
500 (1892)	83-122 (5.72 - 8.41)	FGBS 100-200	91-130 (6.27 - 8.96)	FGBS 100-250	6.5	25	GCR 4-8-7	50 HP	60 HP/3000 RPM	3HP
					7	25	GCR 4-8-7	60 HP	60 HP/3000 RPM	3HP
					8	25	GCR 4-8	75 HP	71 HP/3000 RPM	3HP
	116-194 (7.99 - 13.37)	FGBS 100-250	120-207 (8.27 - 14.27)	FGBS 100-315	9	25	GCR 4-9	100 HP	83 HP/3000 RPM	5HP
					10	25	GCR 4-10	100 HP	115 HP/3000 RPM	5HP
					11	25	GCR 4-11	100 HP	115 HP/3000 RPM	5HP
174-298 (11.99-20.54)	FGBS 100-315			12	25	GCR 4-12	125 HP	115 HP/3000 RPM	5HP	
				13	25	GCR 4-13	125 HP	145 HP/3000 RPM	5HP	
					14	25	GCR 4-14	125 HP	145 HP/3000 RPM	5HP
750 (2838)	77-118 (5.30 - 8.1)	FGBS 100-200	86-125 (5.92 - 8.61)	FGBS 100-250	6	37.5	GCR 5-10	60 HP	71 HP/3000 RPM	3HP
					7	37.5	GCR 5-12	75 HP	83 HP/3000 RPM	5HP
					8	37.5	GCR 5-14	100 HP	115 HP/3000 RPM	5HP
	110-191 (7.58 - 13.16)	FGBS 100-250	111-203 (7.65 - 13.99)	FGBS 100-315	9	37.5	GCR 5-15	100 HP	115 HP/3000 RPM	5HP
					10	37.5	GCR 5-18	125 HP	115 HP/3000 RPM	7.5HP
					11	37.5	GCR 5-18	125 HP	145 HP/3000 RPM	7.5HP
	167-296 (11.51 - 20.40)	FGBS 100-315			12	37.5	GCR 5-20	150 HP	145 HP/3000 RPM	7.5HP
					13	37.5	GCR 5-22	150 HP	175 HP/3000 RPM	7.5HP
					13.99	37.5	GCR 5-24	200 HP	175 HP/3000 RPM	7.5HP

End Suction Quick Selection guide

Rated Capacity in GPM (LPM)	Pressure in PS(Bar) for Electric Motor driven Pump	Pump Model for Electric Driven	Pressure in PS(Bar) for Diesel Engine driven Pump	Pump Model for Diesel Engine Driven	Rated Pressure in Bar	Jockey Pump Flow in USgpm	Jockey Pump Model	Electric Motor HP @ (3550 RPM)	Clarke DIESEL ENGINE HP @ (2100 RPM & 3000 RPM)	Jockey Pump HP @ 3450 RPM	
1000 (3785)	101-183 (6.96 - 12.61)	FGBS 125-250	104-188 (7.17 - 12.96)	FGBS 125-315	7.5	50	GCR 10-7	125 HP	115 HP/3000 RPM	5HP	
					8	50	GCR 10-7	125 HP	145 HP/3000 RPM	5HP	
					9	50	GCR 10-8	150 HP	145 HP/3000 RPM	7.5HP	
	153-220 (10.54 - 15.16)	FGBS 125-315				10	50	GCR 10-9	200 HP	175 HP/3000 RPM	7.5HP
						11	50	GCR 10-10	200 HP	216 HP/3000 RPM	7.5HP
						12	50	GCR 10-10	200 HP	216 HP/3000 RPM	7.5HP
						12.96	50	GCR 10-12	200 HP	216 HP/3000 RPM	7.5HP



GENERAL PUMPS

GENERAL PUMPS, S.L.

Pol. Ind. El Oliveral (U.E.7, Nave n°1) - Calle W
46394 Ribarroja del Turia - Valencia Spain
Tel. : +34 96 1665200 / Fax :+34 96 1665052
E-mail: info@pumpsgp.com • www.pumpsgp.com